

DEADEND CLAMP COVER. MODEL **STSC13**

USE ON GA-3 DEADEND CLAMPS and COMPRESSION CLAMPS. TAM 300023.



Design Features:

The STSC13 protective cover is designed to cover the metal ball joint and GA-3 type deadend clamps. (Figs. 1 & 2). Its design also allows its use to cover Compression Clamps, on a conductor size range up to LA-180, on distribution lines from 15 to 52kV. (Fig. 3).

With a silicone thickness of 3.5 mm, this device has the required and adequate dielectric strength to ensure satisfactory performance throughout its entire service life.

Installation:

Its clamshell opening design, with 13 locking points by means of pins, (preinstalled on each device), allows easy installation by hand with no tools on existing lines. (Fig. 1).

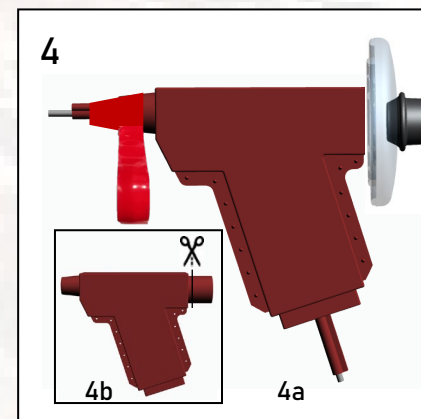
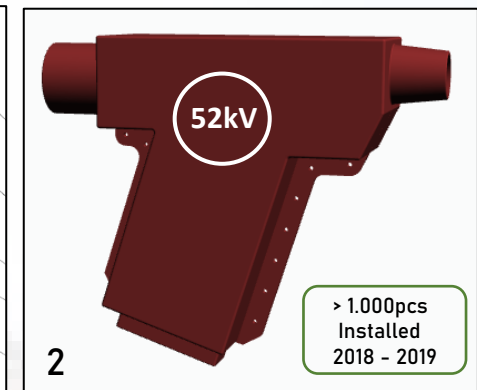
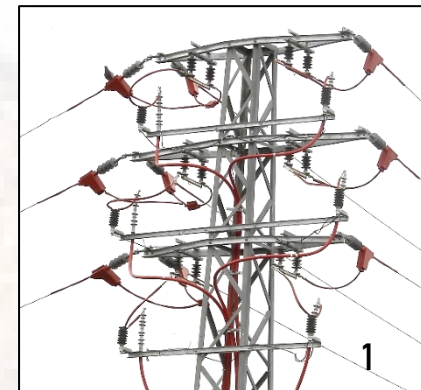
Advantages: Its design includes features to prevent moisture condensation and rainwater ingress; in addition to the lower rectangular opening, its design includes two sections, a cylinder-shaped and a cone-shaped one, which, by means of silicone tape or UV resistant plastic ties and thanks to the inherent properties of the silicone material, allow fitting over the metal ball joint of the insulator on one side and the conductor cover on the other, performing a twofold function: on the one hand hindering water ingress and on the other providing an additional fixing for the SWP conductor cover, securing it to prevent it from slipping along the conductor.

The inherent flexibility and nature of the material allows the device to be easily adapted to the specific needs of each application and to trim excess portions (cylinder-shaped section) depending on the type of insulator installed on the line: Polymer (Figs. 5a-5b), or Glass (Figs. 4a-4b). For the latter, the cover's design allows perfect insulation of the metal ball joint, as the glass insulator is "flush" against the STSC13 device.

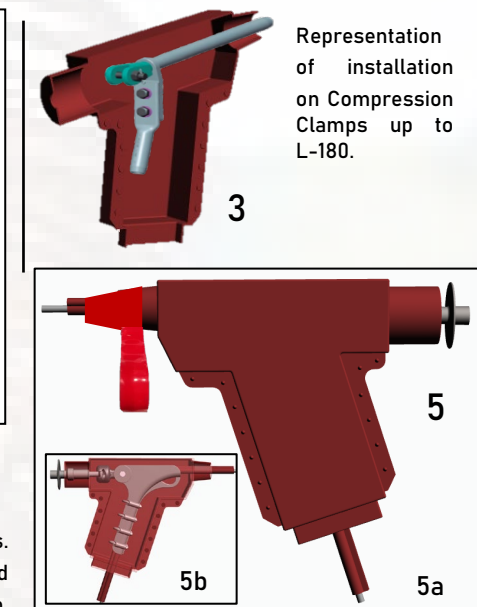
Standard Format and Packaging:

Model STSC13 clamp covers are supplied in recyclable cartons holding 2 RAL 3031 red units each.

Each package includes information on the month and year of manufacture, Batch No, as well as handling, storage and recycling instructions. Inside the carton is a detailed Instruction Manual, for proper installation of the cover. Includes a QR Code providing access to the field installation video.



Installation on U-70, U100,U-120 glass insulators. Sealing of cone-shaped section.
Installation on Polymer Insulators. Sealing of cone-shaped section and cylinder-shaped section.



Representation of installation on Compression Clamps up to L-180.

