

PROTECTIVE CONDUCTOR COVER. **SWP** FAMILY

Models *SWP-12_SWP-16_SWP-22_SWP38*

> 304.000m
Installed
2014 - 2020



Models:

Conductor covers are available in four different reference numbers with internal diameters of 12, 16, 22 mm and 38 mm respectively, to cover the range of conductors from LA-31 to LA-280/HAWK.

Installation:

Installation of the SWP covers is carried out by hand, requiring no tools, following a simple procedure, thanks to the properties of the silicone material they are made of.

The tongue and groove locking design allows a quick, but secure and enduring installation,.

Fitting of the cover is performed by means of AISI-316 STAINLESS STEEL ties, or alternatively using Self-vulcanising Silicone tape, depending on the criteria followed by the local utility. To ensure proper locking of the cover on long sections, self-vulcanising silicone tape must be applied at regular intervals and on the end points.

Advantages:

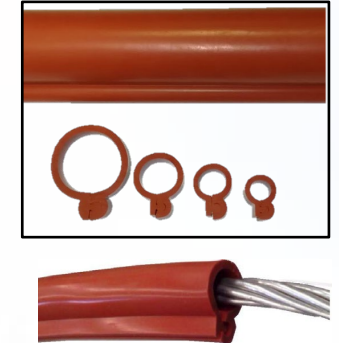
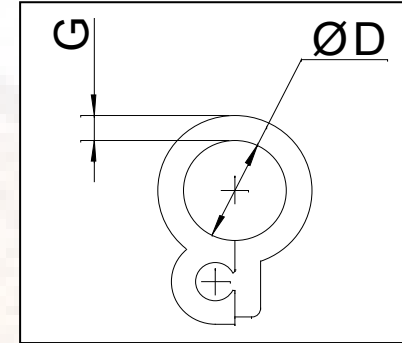
- The properties and flexibility of the cover's silicone material makes it very easy to work with, easily adapting to the installation requirements of each specific application, including small radius curves (Fig A-B). Another advantage is that it allows fast and easy trimming to the required length.
- The shape and size of the SWP hose, considerably smaller than other models on the market, ensures better performance under wind conditions (the "snaking" effect causes slipping along the span when the cover detaches from its fixing point), and an exceptional response to the effects caused by snow and ice, thanks to its hydrophobic properties.

Standard Format and Packaging:

The SWP conductor cover is supplied in 20 m long coils in RAL 3031 colour, packed in recyclable cardboard boxes.

Each package is clearly marked with the cover model it contains, as well as information on the month/year of manufacture, Batch No, and handling and storage instructions. It includes a QR Code providing access to the field installation video.

Inside the carton is a detailed Instruction Manual, in A4 size, double-side printed in colour, for proper installation of the cover and its fixing and lock securing accessories.



Model	D (mm)	G (mm)	Coils/m	Um (kV)/Ø Conductor (mm)
SWP-12	12 +1/-0	3 +0,1/-0	20m	36 / ≤ 12
SWP-16	16 +1/-0	3 +0,1/-0	20m	36 / ≤ 16
SWP-22	22 +1/-0	3,5 +0,1/-0	20m	36 / ≤ 18
SWP-38	38 +2/-0	4,0 +0,1/-0	20m	36kV ≤ 32,8 / 45kV ≤ 31



AISI-316 Stainless Steel Ties
4.6x0.25x200mm



MOCAP X-TREME
Self-Vulcanising
Silicone Tape

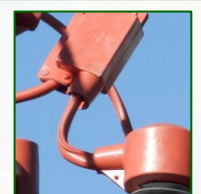


Fig. A: Effectiveness of
SWP Device to cover
small radius curves.

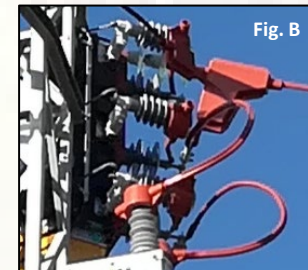


Fig. B

Standard format: 20m coils packed in cartons

